



# MONEY BOXES

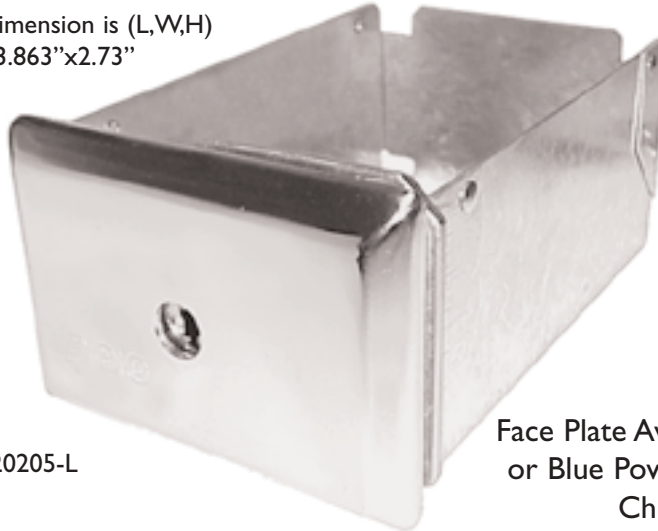


CALL TOLL FREE, USA and Canada 1-800-523-1510 • Fax 1-800-548-1638  
270 New Jersey Drive, Fort Washington, PA 19034 (215)628-0860 Fax (215)643-4623  
Find us on the web @ [www.esdcoin.com](http://www.esdcoin.com)

# ESD COINGARD® LMB 6" MONEY BOX WITH HIGH SECURITY LOCKS

Fits Most Washers, Single Dryers and Drying Tumblers

Approximate reference dimension is (L,W,H)  
Coingard :6.06"x3.863"x2.73"



Tray: 20205-L

Face Plate Available in Black  
or Blue Powder Finish or  
Chrome



ESD-TUBULAR



ESD-XEP



ESD-XD



MEDECO

ITEM#	ESD P/N
1	LMB-T
2	LMB-XEP
3	LMB-XD
4	LMB-M

Symbol

T  
XEP  
XD  
M

**Extra Keys:**

Lock  
ESD-TUBULAR  
ESD-XEP  
ESD-XD  
MEDECO

Standard pack is 20 to a carton.

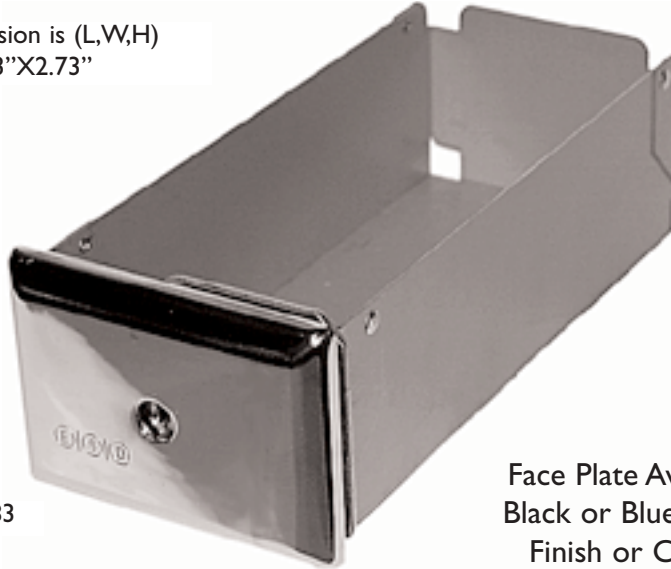


CALL TOLL FREE, USA and Canada 1-800-523-1510 • Fax 1-800-548-1638  
270 New Jersey Drive, Fort Washington, PA 19034 (215)628-0860 Fax (215)643-4623

# ESD COINGARD® XL 8" MONEY BOX WITH HIGH SECURITY LOCKS

Fits Most Front Load & certain Top Load Washers and Single & Drying Tumblers  
(SPEED QUEEN, HUEBSCH, DEXTER, WASCOMAT, IPSO, MAYTAG)

Approximate reference dimension is (L,W,H)  
Coingard : 8.583"X3.863"X2.73"



Tray: 21883



ESD-TUBULAR



ESD-XD



ESD-XEP



MEDECO

Face Plate Available in  
Black or Blue Powder  
Finish or Chrome

ITEM#	ESD P/N
1	71626-T
2	72054-XEP
3	71630-XD
4	71629-M

Symbol  
T  
XEP  
XD  
M

**Extra Keys:**  
Lock  
ESD-TUBULAR  
ESD-XEP  
ESD-XD  
MEDECO

Standard pack is 20 to a carton.



CALL TOLL FREE, USA and Canada 1-800-523-1510 • Fax 1-800-548-1638  
270 New Jersey Drive, Fort Washington, PA 19034 (215)628-0860 Fax (215)643-4623

# ESD MACGARD® BG 6" MONEY BOX WITH HIGH SECURITY LOCKS

Fits Most Washers and Single Dryers

Approximate reference  
dimension is (L,W,H)  
Macgard:  
5.710"x3.867"x2.74"

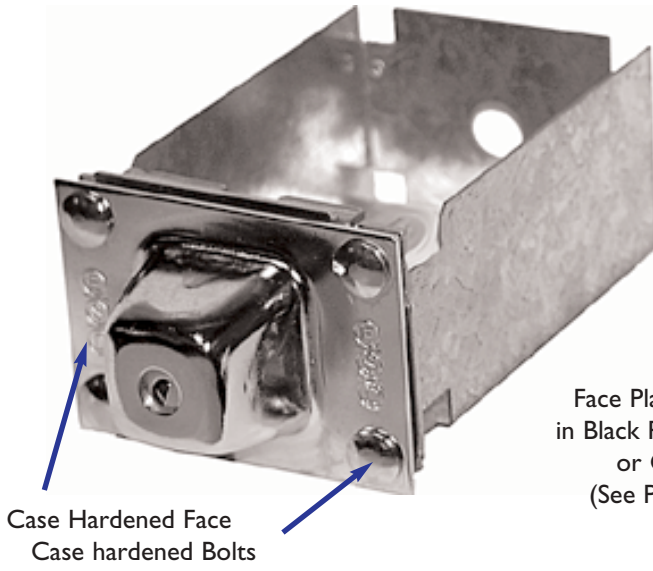
Tray: 20999



ESD-TUBULAR



ESD-XD



Case Hardened Face  
Case hardened Bolts



ESD-XEP



MEDECO

Face Plate Available  
in Black Powder Finish  
or Chrome  
(See Page MB-4)

ITEM#	ESD P/N
1	BGLMB-T
2	BGLMB-XEP
3	BGLMB-XD
4	BGLMB-M

Symbol	Extra Keys: Lock
T	ESD-TUBULAR
XEP	ESD-XEP
XD	ESD-XD
M	MEDECO

Standard pack is 20 to a carton.



CALL TOLL FREE, USA and Canada 1-800-523-1510 • Fax 1-800-548-1638  
270 New Jersey Drive, Fort Washington, PA 19034 (215)628-0860 Fax (215)643-4623

# ESD DESIGNER MACGARD® BG 6" MONEY BOX WITH HIGH SECURITY LOCKS

Fits Most Washers and Single Dryers

Approximate reference  
dimension is (L,W,H)

Macgard:  
5.710"x3.867"x2.74"

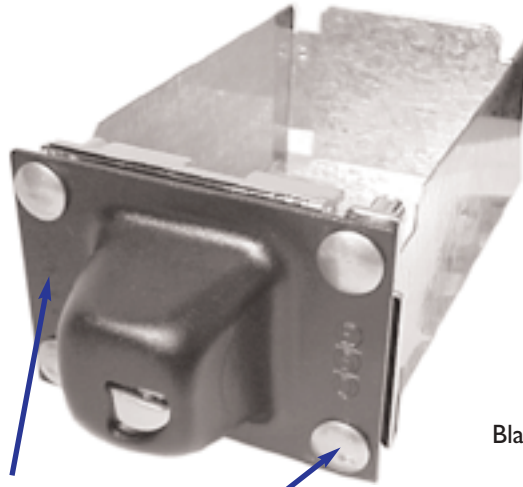
Tray: 20999



ESD-TUBULAR



ESD-XD



Case Hardened Face  
Case hardened Bolts



ESD-XEP



MEDECO

Black Powder Finish  
Face Plate

ITEM#	ESD P/N
1	BGLMB-T-BL
2	BGLMB-XEP-BL
3	BGLMB-XD-BL
4	BGLMB-M-BL

**Extra Keys:**

Symbol	Lock
T	ESD-TUBULAR
XEP	ESD-XEP
XD	ESD-XD
M	MEDECO

Standard pack is 20 to a carton.



CALL TOLL FREE, USA and Canada 1-800-523-1510 • Fax 1-800-548-1638  
270 New Jersey Drive, Fort Washington, PA 19034 (215)628-0860 Fax (215)643-4623

# ESD MACGARD® BG XL 8" MONEY BOX WITH HIGH SECURITY LOCKS

Fits Most Washers, Stack Dryers, and Single Load Dryers

Approximate reference  
dimension is (L,W,H)  
Macgard: 8.3"x3.867"x2.74"

Tray: 22044



ESD-TUBULAR



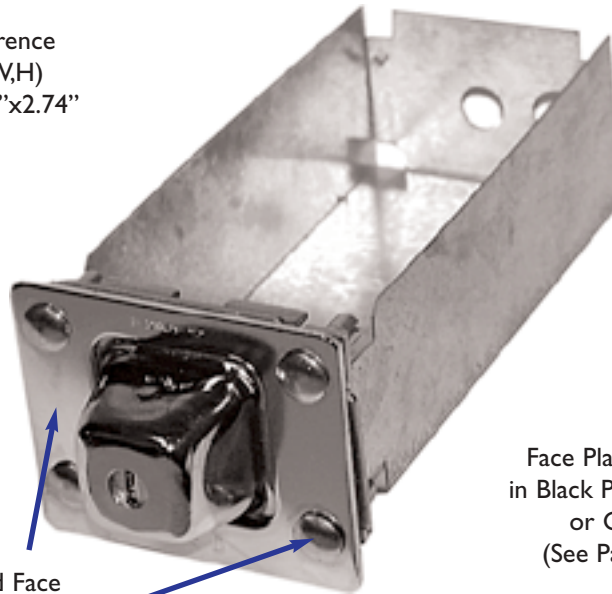
ESD-XD



ESD-XEP



MEDECO



Case Hardened Face  
Case hardened Bolts

Face Plate Available  
in Black Powder Finish  
or Chrome  
(See Page MB-6)

ITEM#	ESD P/N
1	71935
2	72053
3	71934-XD
4	71934-M

Symbol  
T  
XEP  
XD  
M

**Extra Keys:**  
Lock  
ESD-TUBULAR  
ESD-XEP  
ESD-XD  
MEDECO

Standard pack is 20 to a carton.



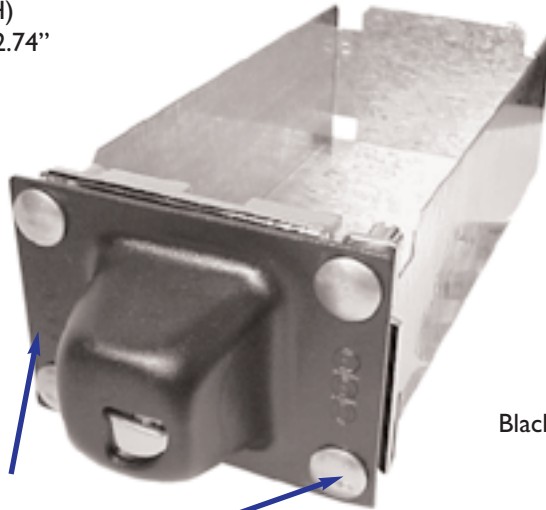
CALL TOLL FREE, USA and Canada 1-800-523-1510 • Fax 1-800-548-1638  
270 New Jersey Drive, Fort Washington, PA 19034 (215)628-0860 Fax (215)643-4623

# ESD DESIGNER MACGARD® BG XL 8" MONEY BOX WITH HIGH SECURITY LOCKS

Fits Most Washers, Stack Dryers, and Single Load Dryers

Approximate reference  
dimension is (L,W,H)  
Macgard: 8.3"x3.867"x2.74"

Tray: 22044



Black Powder Finish  
Face Plate

Case Hardened Face  
Case hardened Bolts

ITEM#	ESD P/N
1	71935-BL
2	72053-BL
3	71934-XD-BL
4	71934-M-BL

Symbol  
T  
XEP  
XD  
M

**Extra Keys:**  
Lock  
ESD-TUBULAR  
ESD-XEP  
ESD-XD  
MEDECO

Standard pack is 20 to a carton.



CALL TOLL FREE, USA and Canada 1-800-523-1510 • Fax 1-800-548-1638  
270 New Jersey Drive, Fort Washington, PA 19034 (215)628-0860 Fax (215)643-4623

# ESD DESIGNER MACGARD II® BGM MONEY BOX WITH HIGH SECURITY LOCKS (MAYTAG 700)

Fits Maytag Washers and Single Dryers Manufactured after 8/96

Approximate reference  
dimension is (L,W,H)  
Macgard: 7.275"x3.86"x3.54"

Tray: 22072

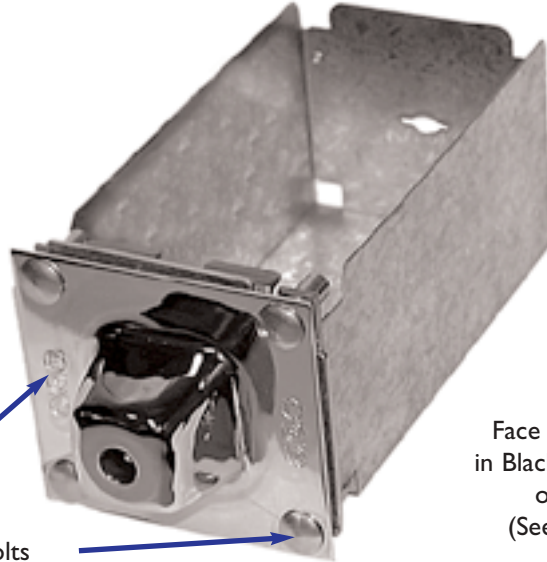


ESD-TUBULAR



ESD-XD

Case Hardened Face  
Case hardened Bolts



Face Plate Available  
in Black Powder Finish  
or Chrome  
(See Page MB-8)



ESD-XEP



MEDECO

ITEM#	ESD P/N
1	71942-T
2	71942-XEP
3	71942-XD
4	71942-M

Symbol

T  
XEP  
XD  
M

**Extra Keys:**

Lock  
ESD-TUBULAR  
ESD-XEP  
ESD-XD  
MEDECO

Standard pack is 20 to a carton.



CALL TOLL FREE, USA and Canada 1-800-523-1510 • Fax 1-800-548-1638  
270 New Jersey Drive, Fort Washington, PA 19034 (215)628-0860 Fax (215)643-4623

# ESD DESIGNER MACGARD II® BGM MONEY BOX WITH HIGH SECURITY LOCKS (MAYTAG 700)

Approximate reference  
dimension is (L,W,H)  
Macgard: 8.3"x3.867"x2.74"

Tray: 22072

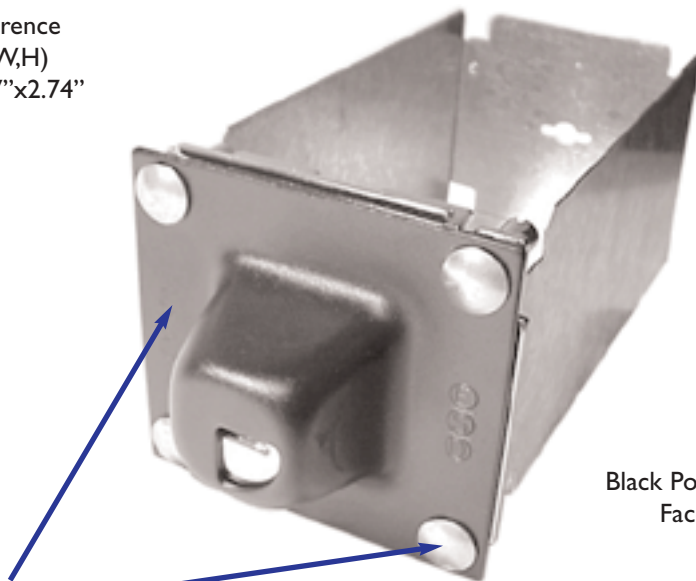


ESD-TUBULAR



ESD-XD

Case Hardened Face  
Case hardened Bolts



Black Powder Finish  
Face Plate



ESD-XEP



MEDECO

ITEM#	ESD P/N
1	71942-T-BL
2	71942-XEP-BL
3	71942-XD-BL
4	71942-M-BL

Symbol	Extra Keys:
T	Lock ESD-TUBULAR
XEP	ESD-XEP
XD	ESD-XD
M	MEDECO

Standard pack is 20 to a carton.



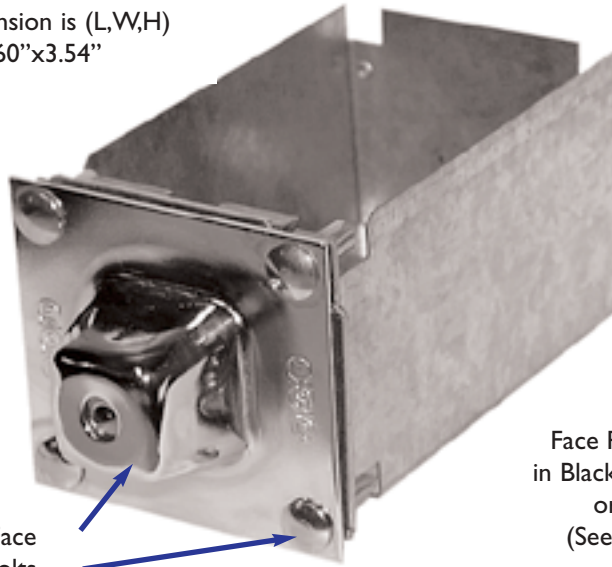
CALL TOLL FREE, USA and Canada 1-800-523-1510 • Fax 1-800-548-1638  
270 New Jersey Drive, Fort Washington, PA 19034 (215)628-0860 Fax (215)643-4623

# ESD MACGARD II® BGW MONEY BOX WITH HIGH SECURITY LOCKS

Fits Whirlpool Washers and Dryers Pre 07/00

Approximate reference dimension is (L,W,H)  
Macgard : 6.345"x3.860"x3.54"

Tray: 20982



ESD-TUBULAR



ESD-XD

Case Hardened Face  
Case hardened Bolts



ESD-XEP



MEDECO

Face Plate Available  
in Black Powder Finish  
or Chrome  
(See Page MB-8)

ITEM#	ESD P/N
1	72199-T
2	72199-XEP
3	72199-XD
4	72199-M

**Extra Keys:**

Symbol	Lock
T	ESD-TUBULAR
XEP	ESD-XEP
XD	ESD-XD
M	MEDECO

Standard pack is 20 to a carton.



CALL TOLL FREE, USA and Canada 1-800-523-1510 • Fax 1-800-548-1638  
270 New Jersey Drive, Fort Washington, PA 19034 (215)628-0860 Fax (215)643-4623

# ESD MACGARD II® BGW MONEY BOX WITH HIGH SECURITY LOCKS

Fits WHIRLPOOL "J" Series Washers and Single Dryers Post 07/00

Approximate reference  
dimension is (L,W,H)  
Macgard: 7.275"x3.86"x3.54"

Tray: 22072

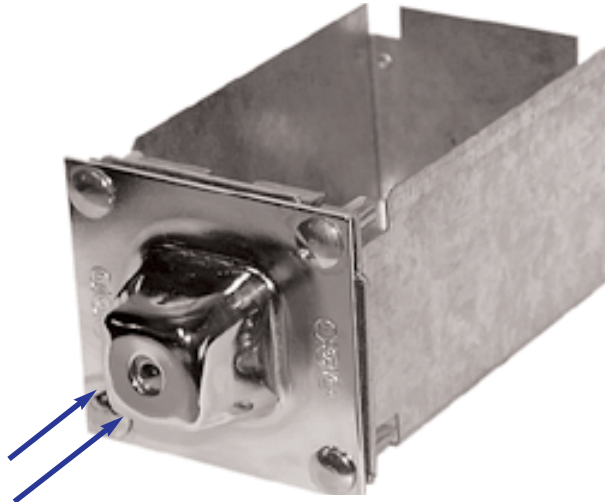


ESD-TUBULAR



ESD-XD

Case Hardened Face  
Case hardened Bolts



ESD-XEP



MEDECO

ITEM#	ESD P/N
1	72101-T
2	72101-XEP
3	72101-XD
4	72101-M

Symbol  
T  
XE  
XD  
D  
M

**Extra Keys:**

Lock  
TUBULAR  
XE  
ESD-XD  
DUO  
MEDECO

Standard pack is 20 to a carton.

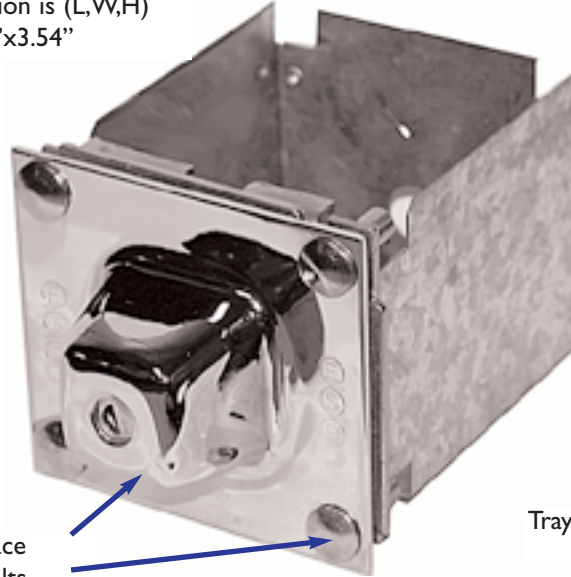


CALL TOLL FREE, USA and Canada 1-800-523-1510 • Fax 1-800-548-1638  
270 New Jersey Drive, Fort Washington, PA 19034 (215)628-0860 Fax (215)643-4623

# ESD MACGARD II® BGN MONEY BOX WITH HIGH SECURITY LOCKS

Fits Sears (Kenmore) and older Whirlpool Equipment

Approximate reference dimension is (L,W,H)  
Macgard : 7.275"x3.86"x3.54"



ESD-TUBULAR



ESD-XD

Case Hardened Face  
Case hardened Bolts

Tray: 21001



ESD-XEP



MEDECO

ITEM#	ESD P/N
1	BGNSMB-T
2	BGNSMB-XEP
3	BGNSMB-XD
4	BGNSMB-M

**Extra Keys:**

Symbol	Lock
T	ESD-TUBULAR
XEP	ESD-XEP
XD	ESD-XD
M	MEDECO

Standard pack is 20 to a carton.



CALL TOLL FREE, USA and Canada 1-800-523-1510 • Fax 1-800-548-1638  
270 New Jersey Drive, Fort Washington, PA 19034 (215)628-0860 Fax (215)643-4623



CALL TOLL FREE, USA and Canada 1-800-523-1510 • Fax 1-800-548-1638  
270 New Jersey Drive, Fort Washington, PA 19034 (215)628-0860 Fax (215)643-4623  
Find us on the web @ [www.esdcoin.com](http://www.esdcoin.com)